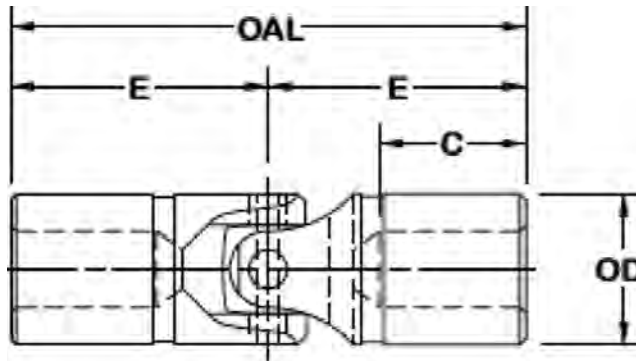


Universal Joints

Finer Power Transmissions stock a range of Universal joints in D Type blank bores; the blank bore allows for any bore diameter up to the recommended maximum.

- **D Type:**
Multi-purpose industrial type, standard pin and block design.



U- joint Size	Max. Bore No Keyway		Max. Bore with Keyway		Max. Square/ Hex Hole		OD	OAL	Bore Depth		Static Breaking Torques		App. Weight Kg
	in	mm	in	mm	in	mm			C	E	in-lb	Nm	
D-1	0.25	6			0.19	4	0.38	1.75	0.56	0.88	110	12	0.02
D-2	0.38	9			0.25	6	0.50	2.00	0.62	1.00	378	42	0.05
D-3	0.50	12	0.25	6	0.31	8	0.62	2.25	0.68	1.12	540	61	0.07
D-4	0.62	15	0.44	11	0.38	9	0.75	2.68	0.88	1.34	768	86	0.14
D-5	0.69	17	0.50	12	0.44	11	0.88	3.00	0.88	1.50	1176	132	0.21
D-6	0.75	19	0.56	13	0.50	12	1.00	3.38	1.00	1.68	1560	176	0.29
D-7	0.88	22	0.62	15	0.56	14	1.12	3.50	1.00	1.75	2880	325	0.38
D-8	1.00	25	0.75	18	0.62	15	1.25	3.75	1.06	1.88	5220	589	0.50
D-10	1.12	28	0.88	21	0.75	19	1.50	4.25	1.18	2.12	7920	895	0.82
D-11	1.25	31	1.00	25	0.88	22	1.75	5.00	1.38	2.50	10680	1206	1.36
D-12	1.50	38	1.19	30	1.00	25	2.00	5.44	1.50	2.75	15600	1762	1.90
D-13	1.75	44	1.50	39	1.12	28	2.50	7.00	2.00	3.50	33120	3742	3.86
D-14	2.00	50	1.81	48	1.38	35	3.00	9.06	2.75	4.53	65400	7389	7.25